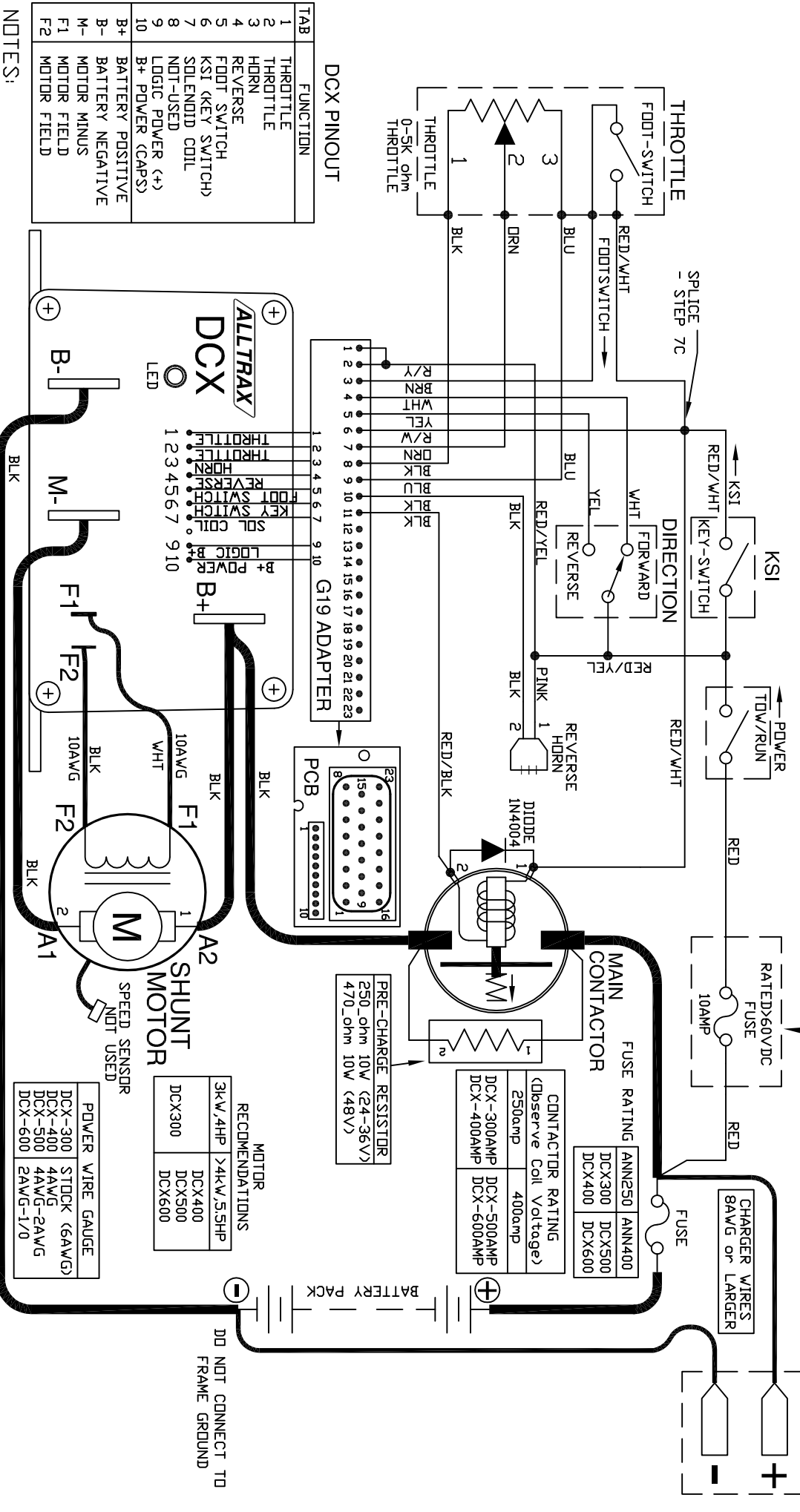


# DCX to YAMAHA G19 (SEPERATELY EXCITED) WOUND MOTORS (DCX products)

PART NO. Doc100-052  
1/19/2007



THIS FUSE MUST BE CHANGED FROM 3AMP TO 10AMP

PRE-CHARGE RESISTOR  
250\_ohm 10W (24-36V)  
470\_ohm 10W (48V)

FUSE RATING	
ANN250	ANN400
DCX300	DCX500
DCX400	DCX600

CONTACTOR RATING (Observe Coil Voltage)	
250amp	400amp
DCX-300AMP	DCX-500AMP
DCX-400AMP	DCX-600AMP

MOTOR RECOMMENDATIONS	
3K.W./4HP	DCX400
>4K.W./5.5HP	DCX500
	DCX600

POWER WIRE GAUGE	
DCX-300	STDCK (6AWG)
DCX-400	4AWG
DCX-500	4AWG-2AWG
DCX-600	2AWG-1/0

TAB	FUNCTION
1	THRDTTLE
2	THRDTTLE
3	HORN
4	REVERSE
5	FOOT SWITCH
6	KSI (KEY SWITCH)
7	SOLENOID COIL
8	NOT-USED
9	LOGIC POWER (+)
10	B+ POWER (CAPS)

B+	BATTERY POSITIVE
B-	BATTERY NEGATIVE
M-	MOTOR MINUS
F1	MOTOR FIELD
F2	MOTOR FIELD

NOTES:

- \* FUSES REQUIRED FOR ALL INSTALLATIONS
- \* DIODE REQUIRED ACROSS COILS / RELAYS
- \* TOW/RUN SWITCH PREVENTS REGEN WHILE TOWING
- \* ASSUMES FOOTSWITCH IS OPEN WHEN THROTTLE OFF
- > ALLTRAX RESERVES THE RIGHT TO CHANGE DOCUMENTATION WITHOUT NOTICE
- > ALLTRAX MAKES NO WARRANTY AS TO THE ACCURACY, SUFFICIENCY, OR SUITABILITY OF ANY TECHNICAL OR OTHER INFORMATION PROVIDED
- > SEE OPERATORS MANUAL FOR MORE INFORMATION

REVISIONS			DWG SCALE: NTS		
REV.	ECO.	DATE	APVD	DRAWN	T.Thorne
A	010407	010407	TT	ENGR	D.Crockett
B	013108	103007	RC		
C	102208	123008	RC		

PROPRIETARY  
THIS TECHNICAL DATA IS PROPRIETARY AND IS NOT TO BE REPRODUCED, RELEASED, OR DISCLOSED IN WHOLE OR IN PART WITHOUT THE WRITTEN PERMISSION OF ALLTRAX INC.

FILE: _DWG-DCX-Yamaha-G19-wire-do	SHEET 1of1
-----------------------------------	------------

DO NOT SCALE DRAWING

DO NOT CONNECT TO FRAME GROUND

ALLTRAX  
1111 Cheney Creek Rd.  
Grants Pass, OR 97527  
PHONE:(541) 476-3565

TITLE  
DCX to Yamaha G19 w/Sep-Ex  
Wiring Dia

SIZE DOCUMENT NO. Doc100-052

REV. C